

QPAS-6000-18000-45-45S

6~18GHz, 45dB, 45dBm

Features:

- * Small Size
- * Low Power Consumption

Applications:

- * Wireless
- * Transmitter
- * Laboratory Test

Electrical

Frequency:	6~18GHz
Gain:	45dB min.
Gain Control (Optional):	0~40dB, 1dB step
Gain Flatness:	±2.5dB typ.
Output Power (Psat):	45dBm min.
Harmonic:	-15dBc typ.
Spurious:	-60dBc max.
VSWR:	2.0 typ.
Voltage:	+220V AC
Input Power Without Damage:	10 dBm max.
Protection:	Turn off automatically on temperature, voltage, current exception.
Control interface(Optional):	LAN or RS232 or USB
Display:	LCD
Status:	Temperature, ON/OFF, Voltage, Current, Gain.

Mechanical

Size:	481.8*338*44.3mm 18.969*13.307*1.744in
Weight:	10kg max.
RF Connectors:	SMA Female
Cooling:	Forced Air

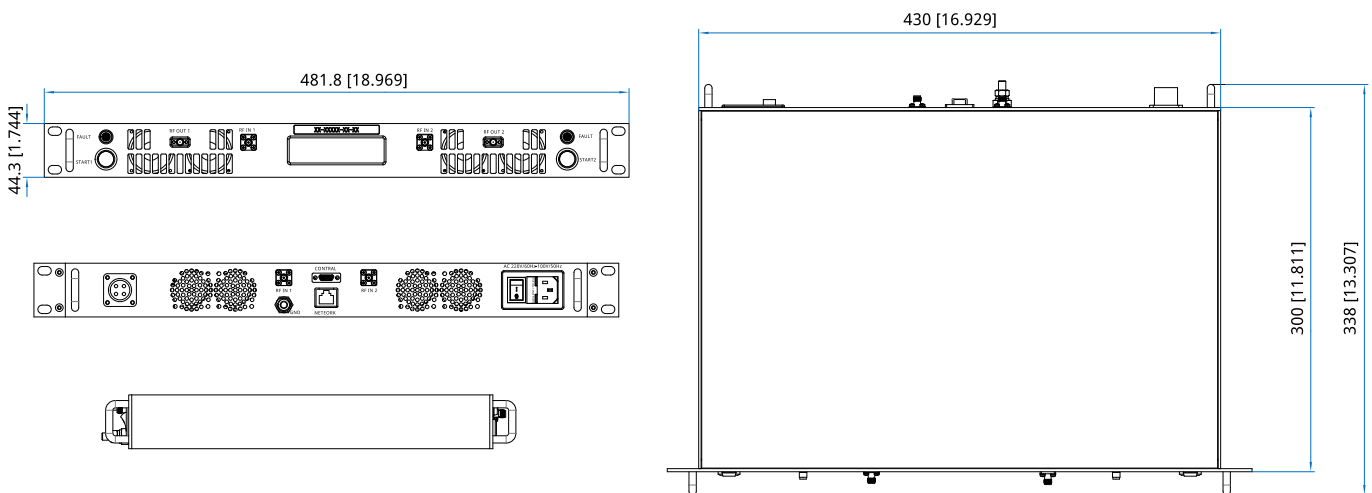
Environmental

Operating Temperature:	-20~+50°C
Non-operating Temperature:	-40~+85°C

How To Order

[QPAS-6000-18000-45-45S](#)

Customization is available upon request.

Outline Drawings


Unit: mm [in]

Tolerance: ±0.2mm [±0.008in]